

# ORDERING FORM

**FIXTURE: PL07G-LINK PARKER CORDIA**

**EXAMPLE: PL07G-LINK-4FT-40W-BF-4K-C1FT-02**

CODE	FT,WATTS & LUMENS	FEED	KELVIN	CABLE	ACCESSORIES
<b>PL07G-LINK</b>	<b>2FT-20W-2000L</b> <b>3FT-30W-3000L</b> <b>4FT-40W-4000L</b> <b>5FT-50W-5000L</b> <b>5FT-65W-6500L</b> <b>6FT-65W-6500L</b>	<b>EF- End Feed</b>  <b>BF-Back Feed</b>	<b>3K-3000K</b> <b>4K-4000K</b> <b>5K-5000K</b> <b>6K-6000K</b>	<b>C1FT-1Ft Cable</b>  <b>C3FT-3Ft Cable</b>  <b>C6FT-6Ft Cable</b>  <b>C10FT-10Ft Cable-</b> One End is Wired; Other End has Waterproof Connector  <b>C10FT2C-10Ft Cable-</b> Both Ends come with Connector	<b>01-Large Metal Bracket</b> <u><b>STANDARD</b></u>  <b>02-Adjustable Aircraft</b> Cable 10FT  <b>03- Linkable Bracket</b>
Note: Dimmable <b>Standard</b>		Note: Use BF for a continuous run.  If you use EF there will be a gap.			

# Parker Cordia

## PL07G-LINK



### Linkable Cordia

Parker Cordia PL07G-LINK is a linkable ambient linear vapor tight LED product with high efficiencies of 100 lm/W, an aluminum body to enhance heat dissipation, and flexible installation supporting either surface or suspended mounting kits. Designed with a full-length polycarbonate lens, it is a linkable, waterproof, dustproof, corrosion and pressure proof product that can be used in a wide variety of industrial and commercial environments such as warehouses, parking lots, stairwells and many more. Options for cords (cables) are available.

#### FEATURES

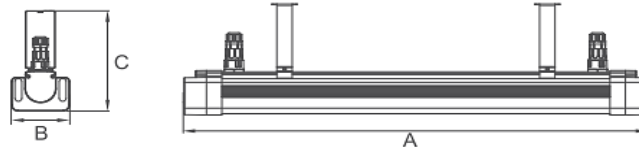
- 100 lm/W
- IP66 / IK10
- SDCM 3 or 6
- Non-Flicker Standard
- No Lead, UV or Mercury
- Up to 70% Energy Savings
- 50,000 Hours, 5 Year Warranty
- Feed Choices: End Feed or Back Feed
- UL Standard Waterproof Outdoor Cable
- Dimmable Available; Emergency Not Available
- Wide Use in Commercial and Industrial Applications

#### APPLICATION

- **INDUSTRIAL**  
Warehouses, Production Halls, Parking Areas, Stairwells
- **EDUCATION**  
Classrooms, Cafeterias, Auditoriums, Sports Halls
- **SEMI-OUTDOOR**  
Car Garages, Pools, Airports, Train/Bus Stations, Gas Stations, Parks, Toll Stations
- **SHOP & RETAIL**  
Shopping Malls, Supermarkets, Retail Stores
- **ARCHITECTURAL**  
Exhibition Centers, Libraries, Museums, Concert Halls



## SIZE



Model No.	Size A (inches)	Size B (inches)	Size C (inches)
PL07G	24"	3.3"	6.25"
PL07G	36"	3.3"	6.25"
PL07G	48"	3.3"	6.25"
PL07G	60"	3.3"	6.25"
PL07G	72"	3.3"	6.25"

## SPECIFICATIONS

Model No.	Power (W)	Lumens	lm/W
PL07G-Link2FT	20	2000	100
PL07G-Link3FT	30	3000	100
PL07G-Link4FT	40	4000	100
PL07G-Link5FT	50	5000	100
PL07G-Link5FT-A	65	6500	100
PL07G-Link6FT	65	6500	100

**Notes:** Frosted cover is 10 lm/W less than clear cover. Above lumens based on 4000K Ra: >80

## TECHNICAL PRODUCT INFORMATION

**Operating:** -20~+40°C      **Storage:** -40~+85°C

**Light Source:** 2835

**CRI Range:** >80

**Certification:** UL RoHS

**Beam Angle:** 120°

**CCT Range:** 3000K | 4000K | 5000K | 6000K

**AC Input:** 100-277V 50/60Hz

**Light Efficiency:** 100 lm/W

**PF:** >0.93    **THD** <20%    **Power Efficiency:** >0.87

**Waterproof:** IP66 & IK10

**Recommended Installation Height:** 8-19ft

**Function:**  Dimmable     Linkable  
**Dimming to be 0-10V**

## ACCESSORIES

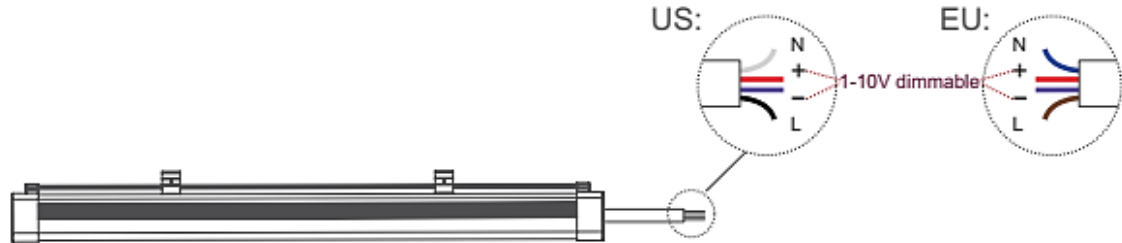


	IMAGE	PART #	DESIGNATION	MATERIAL	DESCRIPTION	QTY	ACCESSORY USE
<b>Standard</b>	01	PL07LK-SMB01	Small Metal Bracket	Stainless Steel	2"x 1.5" x .75"	2 PC	Suspension & Ceiling Mount
<b>Optional</b>	02	PL07LK-AACC10FT02	Adj. Aircraft Cable	Stainless Steel	Up to 10 Feet	2 PC	Adjustable Suspension Mount
	03	PL07LK-LB03	Linkable Bracket	Stainless Steel	5/32"x 25/32"	2 PC	Ceiling Mount

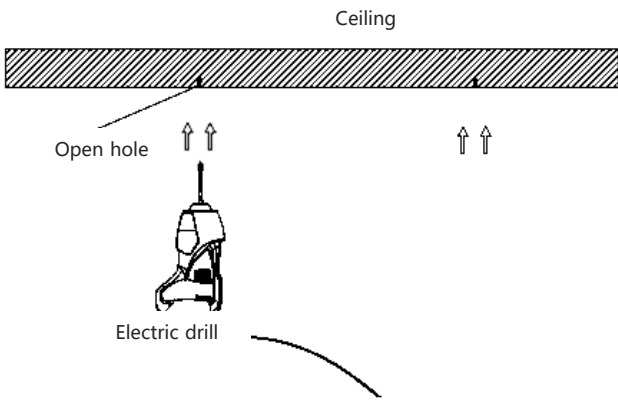


# INSTALLATION

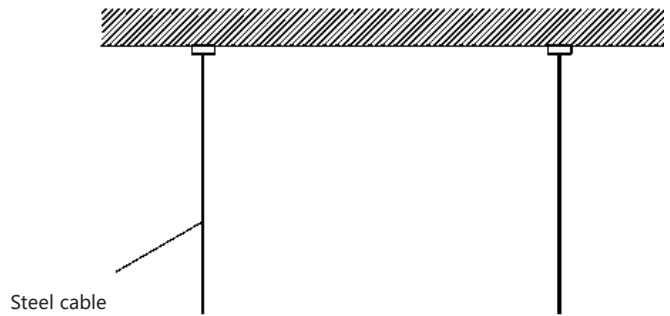
## Control Map



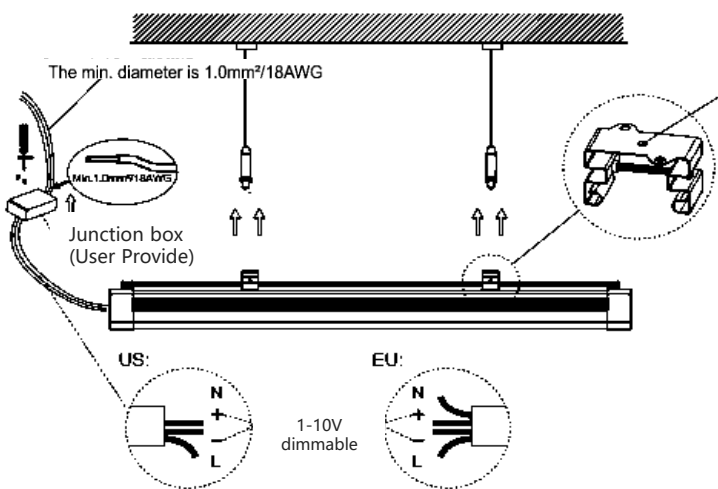
## Suspension Mount



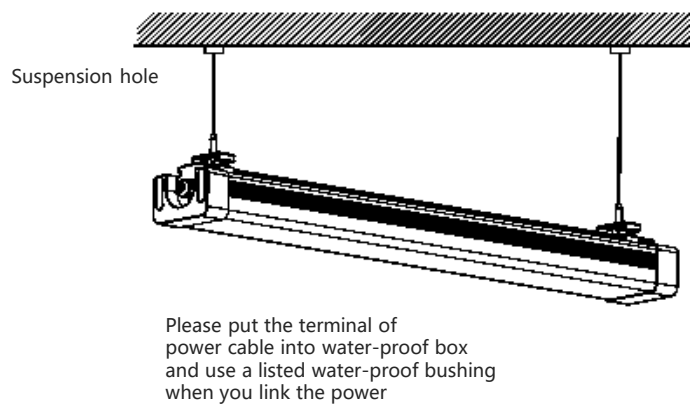
**A. Mark correct position and screw hole**



**B. Screw the steel cable onto ceiling**



**C. Hang the fixture under the steel cable and secure the fixture to the steel cable**

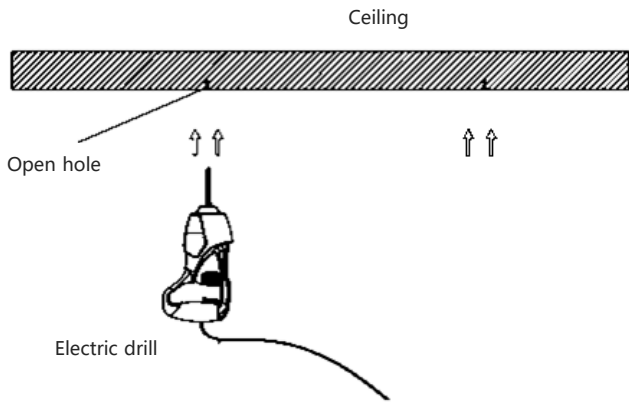


**D. Adjust the position of the fixture and clean it**

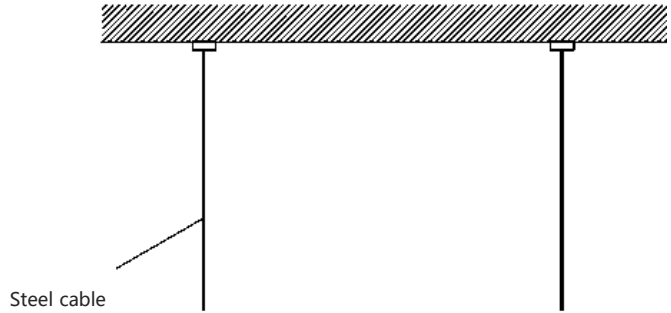


# INSTALLATION

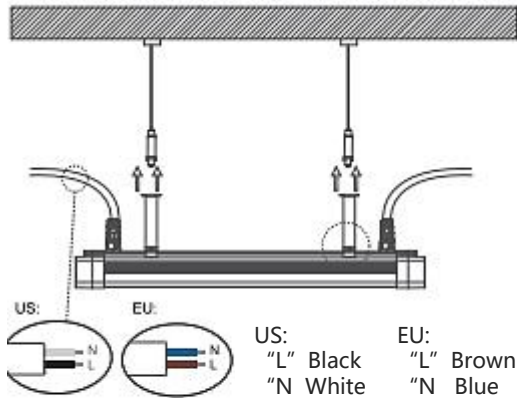
## Suspension Mount



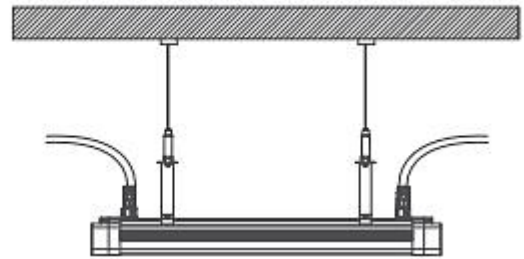
**A. Mark correct position and screw hole**



**B. Screw the steel cable onto ceiling**



**C. Hang the fixture under the steel cable and secure the fixture to the steel cable**



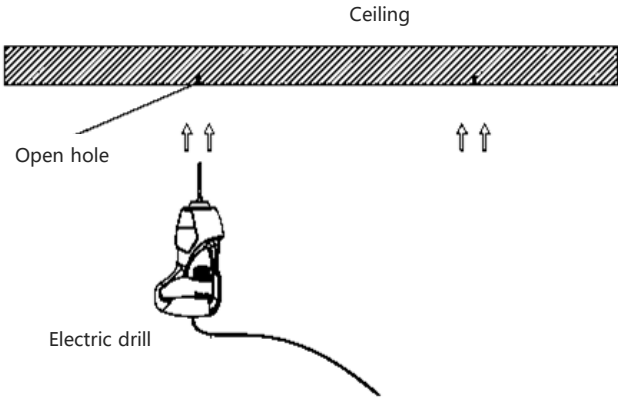
Put the power cable terminal into water-proof box and use a listed water-proof bushing when you connect the power

**D. Adjust the position of the fixture and clean it**

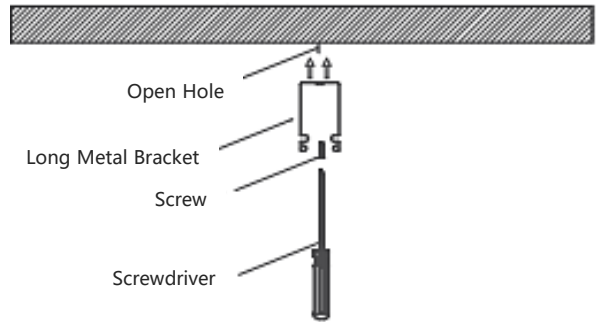


# INSTALLATION

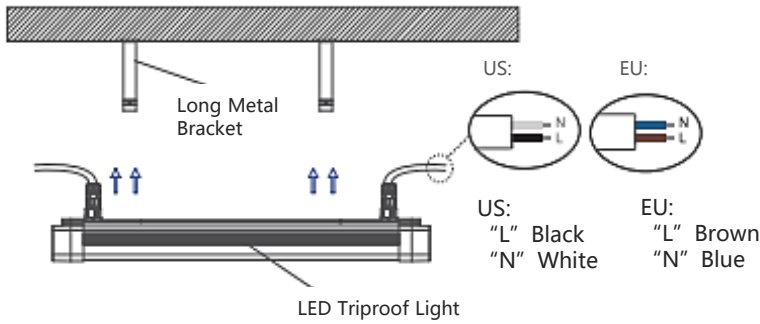
## Ceiling Mount



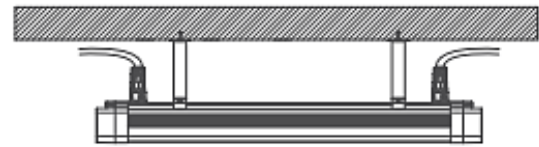
**A. Mark correct position and screw hole**



**B. Screw the clip onto ceiling**

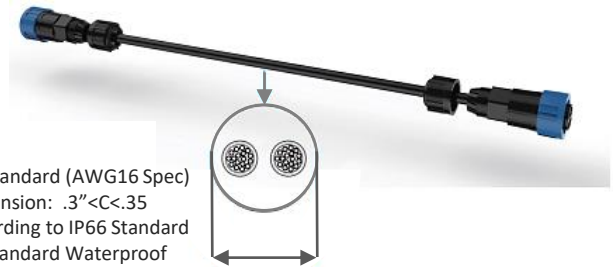
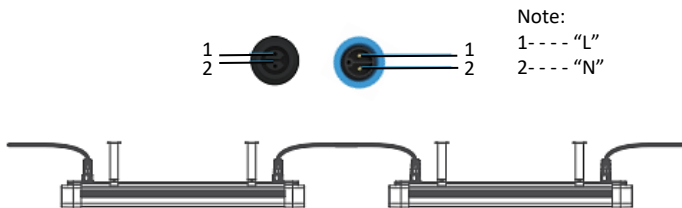


**C. Install the lamp into the clips**



**D. Adjust the position of the fixture and clean it**

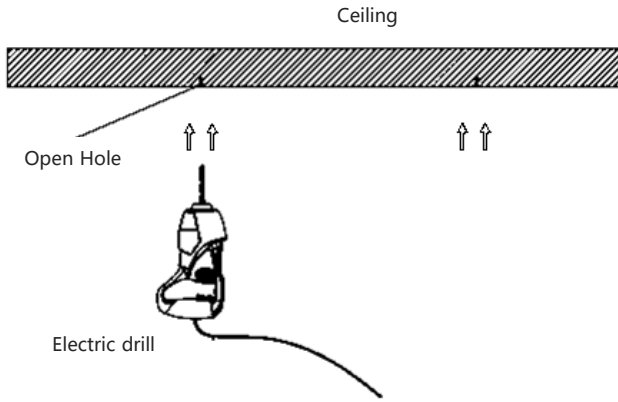
Put the power cable terminal into water-proof box and use a listed water-proof bushing when you connect the power



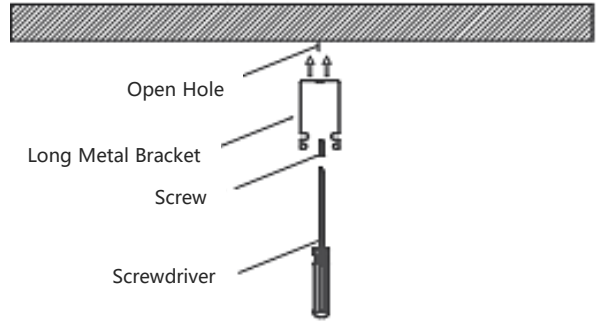


# INSTALLATION

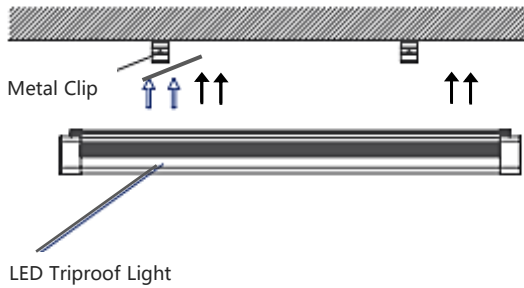
## Ceiling Mount



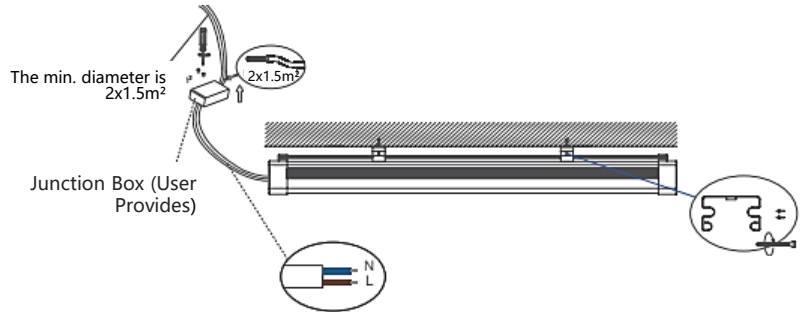
**A. Mark correct position and screw hole**



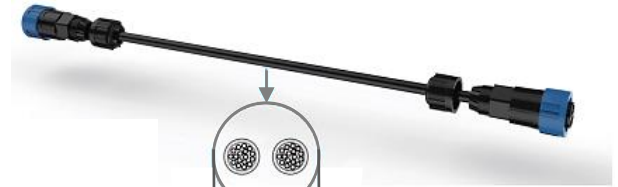
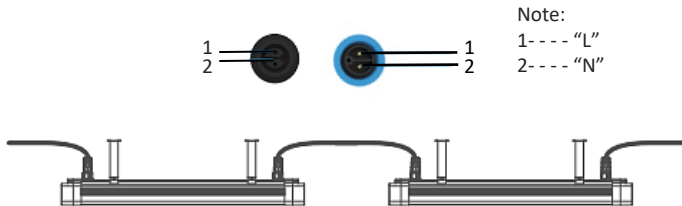
**B. Screw the clip onto the ceiling tightly**



**C. Install the lamp into the clips**



**D. Adjust the position of the fixture and clean it**

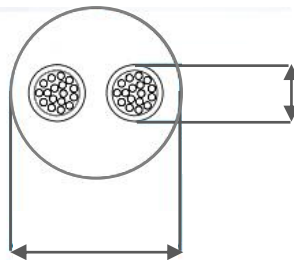
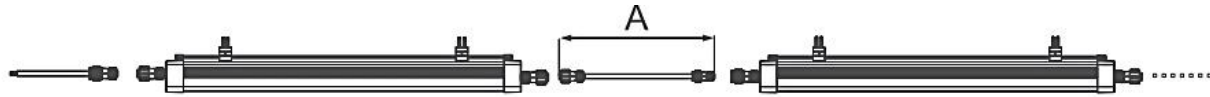


- Cable Standard (AWG16 Spec)
1. Dimension: .3" < C < .35
  2. According to IP66 Standard
  3. UL Standard Waterproof Outdoor Cable



# INSTALLATION

## Linkable



### Cable Standard

1. Dimension:  $7\text{mm} < C < 8.5\text{mm}$
2. Dimension:  $D \geq 2 * 1.5\text{mm}^2$
3. According to IP65 Standard
4. VDE Standard

Waterproof Connector provided

### The maximum number of series for linkable fixtures:

Input Voltage	Length	Max Qty	Size A
100VAC/20W	24"	16	optional
100VAC/20W	35"	11	optional
100VAC/20W	47"	8	optional
100VAC/20W	60"	7	optional
100VAC/20W	60"	5	optional
Input Voltage	Length	Max Qty	Size A
230VAC/20W	24"	32	optional
230VAC/20W	35"	22	optional
230VAC/20W	47"	16	optional
230VAC/20W	60"	13	optional
230VAC/20W	60"	10	optional